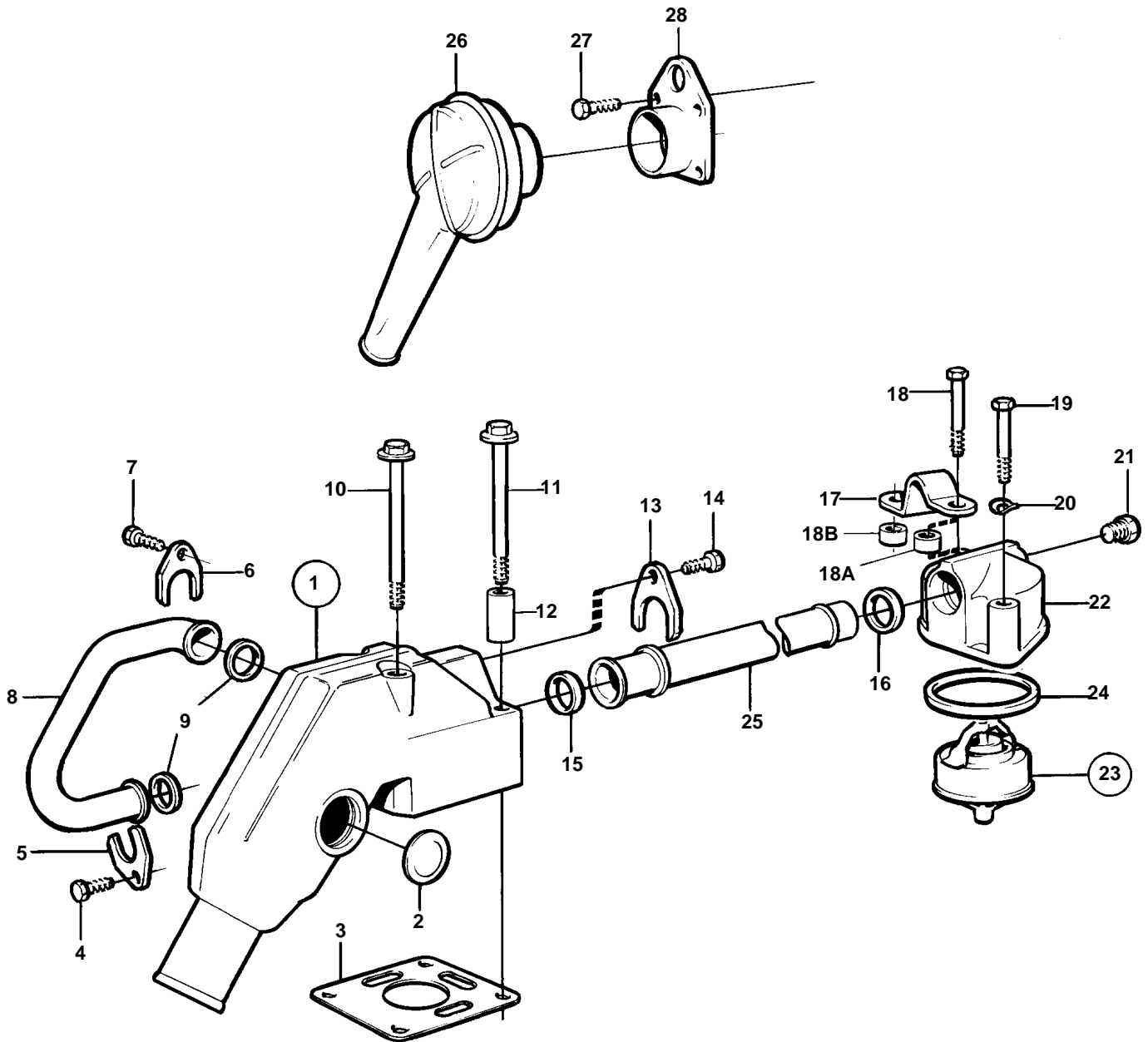


2001,2001B,2001AG,2001BG,2002,2002B,D,2002AG,2002BG,2003,2003B,D



**COOLING SYST, INDUCTION AND EXHAUST MANIFOLD.
SEAWATER-COOLED ENGINE.**

02B

2001,2001B,2001AG,2001BG,2002,2002B,D,2002AG,2002BG,2003,2003B,D

REF	PART NO.	QTY	DESCRIPTION	NOTES
1	840690	1	Exhaust riser	
2	477026	2	· Expansion plug	(192426)
3	840902	1	Gasket	
4	955269	1	Screw	
5	840676	1	Clamp	
6	840676	1	Clamp	
7	955269	1	Screw	
8	840719	1	Tube	
9	418445	2	Sealing ring	
10	969303	2	Flange screw	
11	969303	2	Flange screw	
12	852661	2	Spacer sleeve	
13	840740	1	Clamp	
14	955269	1	Screw	
15	418445	1	Sealing ring	
16	418411	1	Sealing ring	
17		1	LIFT IRON	
18	955300	1	Screw	L = 50 MM
	955303	1	Screw	L = 65 MM, FOR 2003D
18A	807250	1	Spacer sleeve	FOR 2003D
18B	845988	1	Sleeve	FOR 2003D
19	955299	1	Screw	L = 45 MM
20	941907	1	Spring washer	
21	180759	1	Plug	
22	840675	1	Thermostat housing	
23	875779	1	Thermostat kit	60%Z9 C
24	416033	1	· Sealing ring	
25	840678	1	Coolant pipe	2001,2001B
				2001AG,2001BG
	840679	1	Coolant pipe	2002,2002B,2002D
				2002AG,2002BG
	840680	1	Coolant pipe	2003,2003B,2003D
26	840691	1	Muffler	
27	955271	4	Screw	
28	840840	1	Connection flange	